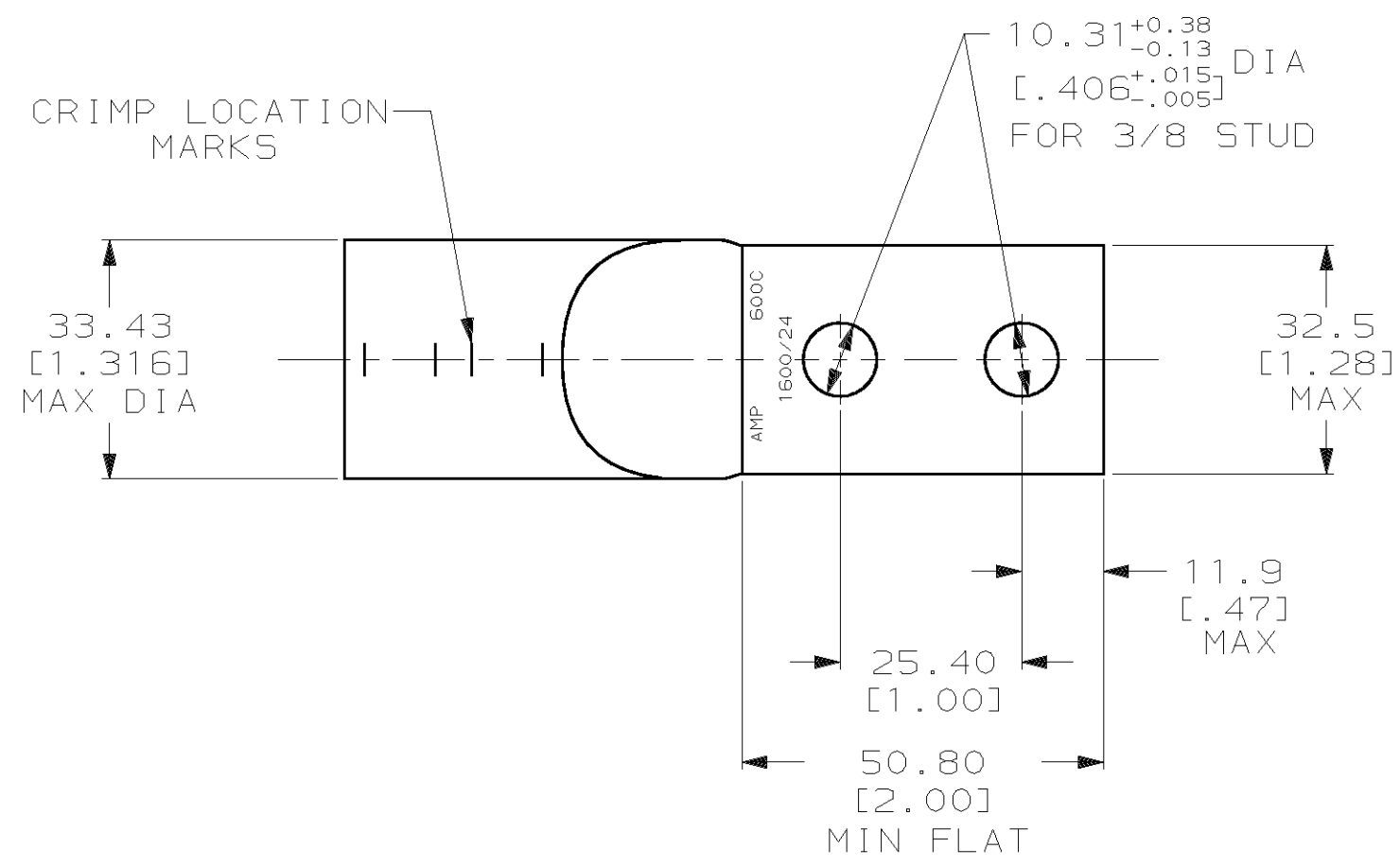
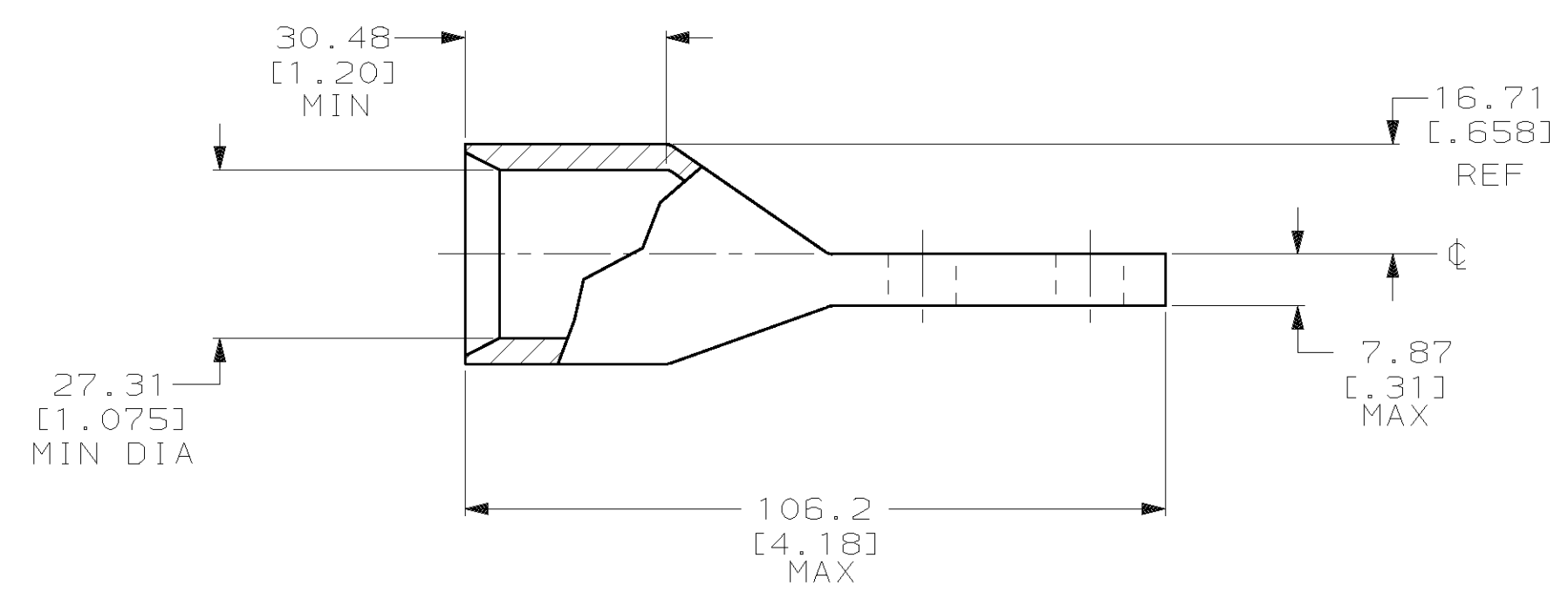


THIS DRAWING IS UNPUBLISHED. RELEASED FOR PUBLICATION, 19 .  
 © COPYRIGHT 19 BY AMP INCORPORATED. ALL INTERNATIONAL RIGHTS RESERVED.

| LOC |  | DIST |  | P |  | F |  | ZONE |  | LTR |  | REVISIONS              |  | DATE    | APPD   |
|-----|--|------|--|---|--|---|--|------|--|-----|--|------------------------|--|---------|--------|
| G   |  | 86   |  |   |  |   |  |      |  |     |  | D REV PER 063A-0561-01 |  | 09OCT02 | 38 CHK |



- 1 TIN PL 0.00381 [.000150] MIN THK PER MIL-T-10727
- 2 CIRCULAR MIL RANGE: 550-650 MCM



**METRIC**

|  |  |                           |     |   |           |
|--|--|---------------------------|-----|---|-----------|
| DO NOT SCALE PRINT. UNLESS SPECIFIED DIMENSIONS IN mm [INCHES] TOLERANCES ON :<br>2 PLC DEC ± 0.51 [.020]<br>3 PLC DEC ± -<br>ANGLES ± - |  | DR 10/15/91 DK SCHRUM     |     | AMP INCORPORATED<br>Harrisburg, Pa. 17105                       |           |
| MATERIAL<br>ANNEALED COPPER<br>ASTM B-75   |  | CHK 10/16/91 AJ KAUFMAN   |     |   |           |
| FINISH   |  | APPD 10/16/91 WJ VOCKROTH |     | NAME  |           |
|  |  | APPD 10/16/91 AJ ADELMANN |     | TERMINAL, AMPPOWER™<br>WIRE SIZE: 304.0mm <sup>2</sup> [600]MCM |           |
| APPLICATION SPEC   |  | PRODUCT SPEC              |     | SIZE  | CAGE CODE |
| -  |  | -                         |     | C   | 00779     |
| WEIGHT   |  | DRAWING NO                |     | DRAWING NO  |           |
| -  |  | -                         |     | 276918  |           |
|  |  | SCALE                     | 1:1 | SHEET 1 OF 1  |           |